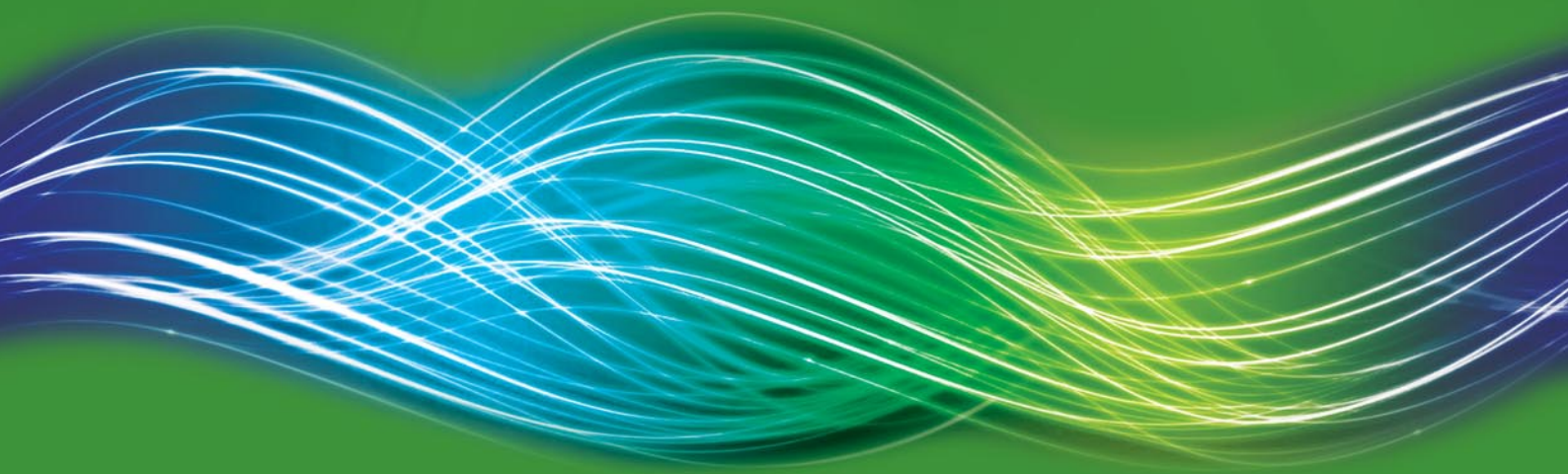




ELECTRICAL PRODUCTS
for the Professional

QUALITY • PERFORMANCE • VALUE



CATALOGUE AND PRICE GUIDE

2010

MASONRY NAILS



- Hardened zinc plated medium gauge nails.
- For fixing a wide range of materials to solid surfaces.

	Pack Quantity	Price per Pack		Ref. No.
		1	4+	
3.2 x 40mm Nail BZP	250	5.95	5.40	DFSMN340

DRYWALL SCREWS



- Phillips countersunk, black bugle head screws.
- Sharp point for use in plasterboard partitioning and suspended ceiling.

	Pack Quantity	Price per Pack		Ref. No.
		1	4+	
3.5 x 38mm Countersunk Black Phosphate	250	5.60	5.30	DFS4520A
3.5 x 50mm Countersunk Black Phosphate	250	6.75	6.20	DFS4520C
3.5 x 55mm Countersunk Black Phosphate	250	8.35	7.60	DFS4520D

CAPPING NAILS



- Fully hardened masonry nails with a washer for fixing thin sheet material to solid surfaces.
- Ideal for PVC or steel channelling.

	Pack Quantity	Price per Pack		Ref. No.
		1	5+	
Hardened Nails c/w Washer	100	4.95	4.55	DFSCN



QUALITY - PERFORMANCE - VALUE

Every product in the Alto range is performance tested to meet the relevant performance criteria and represents outstanding value for money.

SELF TAPPING SCREWS



- Pan head self tapping screws.
- Pilot drill is recommended.
- Requires 3mm / DFHSS3 Drill

	Pack Quantity	Price per Pack		Ref. No.
		1	5+	
Pozidriv Pan Head BZP				
8 x 0.5"	200	6.50	5.95	DFS4305AN
8 x 0.75"	200	8.80	7.95	DFS4305BN
8 x 1"	200	9.75	8.80	DFS4305CN

ROUNDHEAD SLOTTED BRASS SCREWS



- Suitable for use with wood, plastic and nylon plugs.

	Pack Quantity	Price per Pack		Ref. No.
		1	5+	
6 x 1" Slotted Brass	200	20.75	18.70	DFS54BN
8 x 0.75" Slotted Brass	200	17.70	15.95	DFS54CN
8 x 1" Slotted Brass	200	22.60	20.35	DFS54DN
8 x 1.25" Slotted Brass	200	24.95	23.85	DFS54EN
8 x 1.5" Slotted Brass	200	26.80	25.70	DFS54FN

SECURITY SCREWS



- Stainless steel, hardened
- Specially designed to be used in environments where there is a possibility of unauthorised use.

	Pack Quantity	Price per Pack		Ref. No.
		1	4+	
M4 x 12mm	25	2.20	1.95	DFS4307AN
8 x 1" Self Tapping	25	3.90	3.55	DFS4307CN
8 x 1.5" Self Tapping	25	4.35	3.90	DFS4307DN

NOW! A FULL RANGE OF HVAC AND AIR CONDITIONING ANCILLARIES

Pumps, valves, pressure switches and meters and a whole lot more are now available for same/next day delivery from all WF branches



Get the full catalogue from your local WF branch

ROUNDHEAD POZIDRIV SCREWS



	Pack Quantity	Price per Pack		Ref. No.
		1	5+	
8 x 0.75" Pozidriv Twin Thread BZP	200	5.95	5.40	DFS4428AN
8 x 1" Pozidriv Twin Thread BZP	200	6.75	6.20	DFS4428BN
8 x 1.25" Pozidriv Twin Thread BZP	200	8.10	7.30	DFS4428CN
8 x 1.5" Pozidriv Twin Thread BZP	200	9.75	8.75	DFS4428DN
8 x 2" Pozidriv Twin Thread BZP	200	12.85	11.65	DFS4428EN

COUNTERSUNK POZIDRIV SCREWS - TWIN THREAD



	Pack Quantity	Price per Pack		Ref. No.
		1	5+	
6 x 0.75" Pozidriv BZP	200	4.15	3.75	DFS4626AN
6 x 1" Pozidriv BZP	200	4.50	4.15	DFS4626BN
6 x 1.25" Pozidriv BZP	200	5.80	5.30	DFS4626CN
6 x 1.5" Pozidriv BZP	200	7.35	6.65	DFS4626DN
8 x 0.75" Pozidriv BZP	200	5.75	5.25	DFS4628AN
8 x 1" Pozidriv BZP	200	5.25	4.70	DFS4628BN
8 x 1.25" Pozidriv BZP	200	7.15	6.50	DFS4628CN
8 x 1.5" Pozidriv BZP	200	8.15	7.35	DFS4628DN
8 x 2" Pozidriv BZP	200	10.60	9.60	DFS4628EN
10 x 1" Pozidriv BZP	200	8.05	7.20	DFS4628FN
10 x 1.5" Pozidriv BZP	200	10.10	9.20	DFS4628GN
10 x 2" Pozidriv BZP	200	12.65	11.40	DFS4628HN
10 x 2.5" Pozidriv BZP	100	7.60	6.90	DFS4628IN
10 x 3" Pozidriv BZP	100	8.80	7.95	DFS4628JN

COUNTERSUNK SLOTTED SCREWS - TWIN THREAD



- Hardened and zinc plated.

	Pack Quantity	Price per Pack		Ref. No.
		1	5+	
6 x 0.75" Slotted BZP	200	2.40	2.30	DFS4726AN
6 x 1.25" Slotted BZP	200	3.05	2.95	DFS4726CN
8 x 0.75" Slotted BZP	200	2.80	2.50	DFS4728AN
8 x 1" Slotted BZP	200	2.90	2.60	DFS4728BN
8 x 1.25" Slotted BZP	200	3.90	3.55	DFS4728CN
10 x 1" Slotted BZP	200	3.75	3.60	DFS4728GN
10 x 2.5" Slotted BZP	100	6.20	5.90	DFS4728IN
10 x 3" Slotted BZP	100	6.65	6.45	DFS4728JN

BESPOKE CABLE CUTTING SERVICE



Now we can cut cable to size for next day delivery from our huge stocks in Dagenham including a full range of armoured and power cable.

HAMMER SCREW FIXINGS



- Simply drill the hole through fixture into the substrate and hammer in.
- Suitable for fixing switch boxes, trunking and long runs of shelf support.
- Pack of 20.

	Drill Required	Price per Pack		Ref. No.
		1	5+	
5 x 30mm	5mm / DFMAS5	2.25	2.05	DFHS5
6 x 35mm	6.5mm / DFMAS6.5	2.70	2.45	DFHS6
6 x 50mm	6.5mm / DFMAS6.5	2.80	2.55	DFHS6L
8 x 60mm	8mm / DFMAS8	4.60	4.25	DFHS8
8 x 80mm	8mm / DFMAS8	5.25	4.85	DFHS8L
8 x 100mm	8mm / DFMAS8	5.55	5.00	DFHS8XL

NYLON FRAME FIXINGS



- For heavy duty applications such as battening, doors and window frames.
- Anti-rotation fin.
- Pack of 10.

	Drill Required	Price per Pack		Ref. No.
		1	5+	
8 x 100mm	8mm / DFMAS8	3.35	3.10	DFNF8
10 x 100mm	10mm / DFMAS10	5.40	4.95	DFNF10
10 x 120mm	10mm / DFMAS10	6.40	5.80	DFNF10L

**YOUR ACCOUNT IS
AUTOMATICALLY VALID
AT EVERY WF BRANCH**

Your account together with all your commercial terms is automatically valid at every one of our branches nationwide.



RAISED COUNTERSUNK MACHINE SCREWS



- For use in a wide range of electrical installations i.e. switch/socket boxes, conduit fittings etc.

	Pack Quantity	Price per Pack		Ref. No.
		1	5+	
Slotted Nickel				
M3.5 x 25mm	100	20.60	18.60	DFS4317AN
M3.5 x 35mm	100	22.90	20.70	DFS4317BN
M3.5 x 40mm	100	24.10	21.70	DFS4317DN
M3.5 x 50mm	25	5.10	4.70	DFS4317EN
M3.5 x 75mm	25	6.40	5.80	DFS4317FN
Slotted Brass				
M3.5 x 35mm	50	6.05	5.45	DFS4318AAN
M3.5 x 40mm	50	5.55	5.00	DFS4318AN

RAISED ROUNDHEAD SLOTTED BOLT/WASHERS/NUTS



	Pack Quantity	Price per Pack		Ref. No.
		1	5+	
2BA x 1" Slotted Brass	50	9.90	8.50	DFS4319AN
2BA x 2" Slotted Brass	50	16.30	14.80	DFS4319BN
2BA Washer Brass	100	4.15	3.75	DFS4319DN
2BA Nut Hexagonal Brass	100	9.50	8.60	DFS4319CN

GUTTER BOLTS C/W NUTS



- Suitable for all general fixings i.e. trunking and cabletray etc.

	Pack Quantity	Price per Pack		Ref. No.
		1	5+	
M6 x 12mm BZP	200	24.20	21.75	DFS4334AN
M6 x 16mm BZP	200	27.85	25.15	DFS4334BN
M6 x 20mm BZP	200	29.80	26.90	DFS4334CN
M6 x 25mm BZP	100	15.15	13.60	DFS4334DN

ROOFING BOLTS C/W NUTS



- Suitable for all general fixings i.e. trunking and cabletray etc.

	Pack Quantity	Price per Pack		Ref. No.
		1	5+	
M6 x 12mm BZP	200	21.10	19.15	DFS4333AN
M6 x 16mm BZP	200	18.05	16.30	DFS4333AN1
M6 x 20mm BZP	200	23.45	21.05	DFS4333BN
M6 x 25mm BZP	100	10.90	10.50	DFS4333CN
M6 x 50mm BZP	100	11.55	10.45	DFS4333DN

SLOTTED BRASS PAN HEAD



	Pack Quantity	Price per Pack		Ref. No.
		1	5+	
Bolts				
M4 x 6mm Slotted Brass	100	6.50	6.25	DFS4304AN
M4 x 8mm Slotted Brass	100	6.40	6.15	DFS4304BN
M4 x 10mm Slotted Brass	100	6.45	6.20	DFS4304CN
M4 x 12mm Slotted Brass	100	6.55	6.30	DFS4304DN
M4 x 16mm Slotted Brass	100	7.20	6.90	DFS4304EN
M4 x 20mm Slotted Brass	100	8.70	8.35	DFS4304FN
M4 x 25mm Slotted Brass	100	10.10	9.70	DFS4304GN
M4 x 35mm Slotted Brass	50	14.15	13.60	DFS4304HN
M4 x 40mm Slotted Brass	50	14.40	13.85	DFS4304JN
M4 x 50mm Slotted Brass	50	14.95	14.40	DFS4304KN

Washers				
M4 Washer Brass	100	3.25	3.00	DFS4320BN
Nuts				
M4 Nut Hexagonal Brass	100	5.40	5.25	DFS4320AN

BRASS HEXAGONAL BOLT/WASHERS/NUTS



- Fully threaded for all electrical applications.

	Pack		Price per Pack	Ref. No.
	Quantity			
M6 Bolts				
M6 x 25mm Bolt Brass	20	4.00	3.85	DFSSS625
M6 x 30mm Bolt Brass	20	4.50	4.10	DFSSS630
M6 x 40mm Bolt Brass	20	13.25	11.95	DFSSS640
M8 Bolts				
M8 x 25mm Bolt Brass	20	14.60	13.20	DFSSS825
M8 x 30mm Bolt Brass	20	16.05	14.50	DFSSS830
M10 Bolts				
M10 x 25mm Bolt Brass	10	12.90	11.80	DFSSS1025
M10 x 30mm Bolt Brass	10	13.85	12.50	DFSSS1030
M10 x 40mm Bolt Brass	10	15.25	14.95	DFSSS1040
Washers				
M6 Washer Brass	50	3.75	3.35	DFS4320D
M8 Washer Brass	50	5.30	4.85	DFS4320F
M10 Washer Brass	50	6.40	5.80	DFS4320H
Nuts				
M6 Nut Hexagonal Brass	50	10.35	9.30	DFS4320C
M8 Nut Hexagonal Brass	50	14.00	12.65	DFS4320E
M10 Nut Hexagonal Brass	50	27.80	25.05	DFS4320G

STEEL HEXAGONAL BOLT/WASHERS/NUTS



- General purpose steel, full thread suitable for virtually all engineering work.

	Pack		Price per Pack	Ref. No.
	Quantity			
M6 Bolts				
M6 x 25mm Bolt Steel	50	9.45	8.50	DFS4335AN
M6 x 30mm Bolt Steel	50	10.30	9.20	DFS4335BN
M8 Bolts				
M8 x 25mm Bolt Steel	50	14.00	12.65	DFS4335EN
M10 Bolts				
M10 x 30mm Bolt Steel	50	22.30	20.10	DFS4335JN
Penny Washers				
M6 Penny Washer BZP	100	9.35	8.25	AL7824
M8 Penny Washer BZP	100	9.35	8.25	AL7825
M10 Penny Washer BZP	100	10.50	9.30	AL7826
Flat Washers				
M6 Flat Washer BZP	100	5.85	4.65	AL7827
M8 Flat Washer BZP	100	5.85	4.65	AL7828
M10 Flat Washer BZP	100	7.05	5.85	AL7829
Nuts				
M6 Hexagonal Nut BZP	100	7.05	5.85	AL7830
M8 Hexagonal Nut BZP	100	8.15	7.00	AL7831
M10 Hexagonal Nut BZP	100	9.35	8.25	AL7832

SAME DAY/NEXT DAY DELIVERY ON EVERY PRODUCT IN THIS CATALOGUE



Place your order by 5:30pm at your local WF branch and it will be delivered to your chosen location next day.

HSS DRILL BITS



- High speed steel rolled forged quality professional drill bits.
- Suitable for use on both metal and wood.
- Complies with DIN338.



	Price		Ref. No.
	1	10+	
2mm Drill Bit	0.90	0.85	DFHSS2
3mm Drill Bit	1.00	0.95	DFHSS3
3.5mm Drill Bit	1.45	1.35	DFHSS3.5
4mm Drill Bit	1.55	1.50	DFHSS4
5mm Drill Bit	1.70	1.65	DFHSS5
5.5mm Drill Bit	1.80	1.70	DFHSS5.5
6mm Drill Bit	1.95	1.90	DFHSS6
6.5mm Drill Bit	2.20	2.05	DFHSS6.5
7mm Drill Bit	3.30	3.20	DFHSS7
8mm Drill Bit	3.50	3.35	DFHSS8
10mm Drill Bit	5.00	4.75	DFHSS10
11mm Drill Bit	6.30	6.00	DFHSS11
12mm Drill Bit	6.55	6.25	DFHSS12
5 Piece SDS Drill Set (Contains 5.5, 6, 7, 8, 10 x 160mm drill bits)	20.45		DFDS5

MASONRY DRILL BITS



- Tungsten carbide tipped.
- For use in rotary percussion drilling machines.
- Complies with DIN8039.



	Price		Ref. No.
	1	10+	
5 x 85mm Drill Bit	2.10	2.00	DFMAS5
5 x 150mm Drill Bit	2.30	2.20	DFMAS5L
5.5 x 85mm Drill Bit	2.15	2.05	DFMAS5.5
5.5 x 150mm Drill Bit	2.30	2.20	DFMAS5.5L
6 x 100mm Drill Bit	2.30	2.20	DFMAS6
6.5 x 100mm Drill Bit	2.45	2.35	DFMAS6.5
6.5 x 150mm Drill Bit	3.55	3.45	DFMAS6.5L
7 x 100mm Drill Bit	2.60	2.55	DFMAS7
8 x 150mm Drill Bit	3.50	3.30	DFMAS8
8 x 400mm Drill Bit	6.50	6.20	DFMAS8L
10 x 120mm Drill Bit	3.80	3.50	DFMAS10

SDS HAMMER DRILL BITS



- Suitable for use in most SDS and Rotary percussion drills.
- Tip designed for faster penetration and longer tool life.
- Complies with BS5621 and GS approved.



	Price		Ref. No.
	1	10+	
5 x 110mm Drill Bit	4.30	4.10	DFSDS5
5 x 160mm Drill Bit	5.80	5.45	DFSDS5L
5.5 x 160mm Drill Bit	4.20	4.10	DFSDS5.5L
6 x 160mm Drill Bit	5.15	4.90	DFSDS6
6.5 x 110mm Drill Bit	5.00	4.75	DFSDS6.5
6.5 x 160mm Drill Bit	5.85	5.65	DFSDS6.5L
8 x 260mm Drill Bit	8.00	7.60	DFSDS8L
10 x 160mm Drill Bit	9.95	9.60	DFSDS10
12 x 160mm Drill Bit	10.55	10.15	DFSDS12
16 x 150mm Drill Bit	13.80	13.20	DFSDS16
16 x 450mm Drill Bit	24.10	23.15	DFSDS16L

SPECIALIST DRILL BITS



	Price		Ref. No.
	1	5+	
20 x 200mm Auger Bit	9.75	9.40	DFAU20
25 x 200mm Auger Bit	12.10	11.60	DFAU25
20 x 150mm Flat Bit	3.80	3.60	DFFB20
25 x 150mm Flat Bit	5.45	5.25	DFFB25

The performance of any anchor primarily depends upon the integrity and strength of the substrate material into which it is fixed, in general the stronger the substrate the greater the failure load.

Anchors generally fall into three categories:

- Light weight - which includes cavity fixings, wall plugs, masonry nails, hammer and frame fixings.
- Medium duty - wedge, sleeve, shield anchor: (M6 to M12) and chemical anchors.
- Heavy duty - throughbolts and shield anchor: (M16 to M24).

In general terms, when using anchors, spacing between each fixing point should be 10 x the diameter of the anchor. e.g. M6 anchor = 60mm between fixing points.

Most anchors work by expansion. This creates stress within the substrate and can be problematic if fixed too close to the edge of the substrate or into substrates which are old or badly weathered. In cases like this it is recommended that you use expansion free anchors such as chemical polyester resins. Always drill the correct diameter holes to the correct depth using a drill bit which is in good condition. Clean the hole thoroughly. This is important for all anchors, but particularly critical for chemical anchors.

		Concrete (Uncracked)	Brick (Solid)	Brick (Perforated)	Lightweight Concrete	Aerated Block	Sandstone	Granite	Hollow Blocks	Hollow Clay Pot	Plasterboard	Plywood	Hollow Doors
HEAVY-DUTY	Shield Anchor (M12-M24)	✓			●		●	✓					
	Throughbolt	✓			●		●	●					
MEDIUM-DUTY	Chemical Studbolt	✓	✓		✓		✓	✓					
	Chemical Cartridge	✓	✓	✓	✓	✓	✓	✓	●				
	Sleeve Anchor	✓	✓	✓	✓	✓	✓	✓	●				
	Wedge Anchor	✓			●			●					
	Shield Anchor (M6-M12)	✓	✓	●	✓		✓	✓					
LIGHT-DUTY	Nylon Frame Fixings	✓	✓		✓	●	✓	✓					
	Hammer Screw Fixings	✓	✓		✓	●	✓	✓					
	Masonry Nails		✓	●	●		●						
	Metal/Nylon Self Drill										✓		
	Screw Anchor								●	✓	✓	✓	✓
	Spring Toggle								●	✓	✓	✓	

✓ Suitable ● Suitable With Care

FIXINGS

SPRING TOGGLE CAVITY FIXINGS



- Suitable for electrical fixings to cavity walls and plasterboard.
- Supplied with screw.
- Pack of 10.

	Drill Required	Price per Pack		Ref. No.
		1	10+	
M3x50mm	11mm / DFHSS11	0.50	0.40	DFST3
M5x50mm	14mm / DFSDS14	0.55	0.50	DFST5
M5x80mm	14mm / DFSDS14	0.85	0.75	DFST5L

SELF DRILL CAVITY FIXINGS



- Supplied complete with Pozidriv screw.
- Provides a quick and easy way to fix light and medium loads in plasterboard.

	Pack Quantity	Price per Pack		Ref. No.
		1	5+	
4.5 x 25mm Nylon Cavity Fitting	25	11.35	10.35	DFNSD4
4.5 x 20mm Metal Cavity Fitting	25	9.10	8.25	DFMSD4
4.5 x 20mm Metal Cavity Fitting	100	52.40	47.25	DFMSD5

THROUGH FIXING BOLTS



- Easy to use through fixing, requires a hole the same diameter as the bolt.
- Suitable for fixing heavy machinery into brickwork or concrete.
- Pack of 1.

	Drill Required	Price per Pack		Ref. No.
		1	10+	
M6 x 65mm	6.5mm / DFSDS6.5	0.90	0.80	DFTB6
M8 x 75mm	8mm / DFSDS8	1.10	1.05	DFTB8
M12 x 100mm	12mm / DFSDS12	2.85	2.30	DFTB12

SLEEVE ANCHOR FLANGE NUTS



- For medium weight applications in brick, block and masonry.
- Ideal for the installation of trunking, pipework and satellite dishes.
- Pack of 1.

	Drill Required	Price per Pack		Ref. No.
		1	20+	
M6 x 66mm	8mm / DFSDS8	0.70	0.60	DFS8
M8 x 92mm	8mm / DFSDS8	0.85	0.80	DFS8L
M10 x 75mm	10mm / DFSDS10	0.95	0.85	DFS10
M10 x 100mm	10mm / DFSDS10	1.00	0.95	DFS10L
M12 x 100mm	12mm / DFSDS12	1.20	1.15	DFS12

SHIELD LOOSE BOLT ANCHORS



- Provides strong secure fixing in concrete, masonry and stonework.
- Incorporates a segmented shield which expands when tightens.
- Pack of 1.

	Drill Required	Price per Pack		Ref. No.
		1	20+	
M6 x 20mm	12mm / DFSDS12	2.50	2.30	DFLB6
M8 x 25mm	14mm / DFSDS14	3.05	2.80	DFLB8
M10 x 25mm	16mm / DFSDS16	3.65	3.25	DFLB10

HOOK BOLT ANCHORS



- Suitable for permanent anchorage in securing guy ropes, stays and cables.
- Pack of 1.

	Drill Required	Price per Pack		Ref. No.
		1	20+	
6mm	12mm / DFSDS12	2.50	2.30	DFHB6
8mm	14mm / DFSDS14	2.95	2.60	DFHB8
10mm	16mm / DFSDS16	3.65	3.25	DFHB10

SHIELD PROJECTION BOLT ANCHORS



- Pack of 1.

	Drill Required	Price per Pack		Ref. No.
		1	20+	
M6 x 10P	12mm / DFSDS12	1.75	1.70	DFPB6
M8 x 10P	14mm / DFSDS14	2.75	2.50	DFPB8
M10 x 15P	16mm / DFSDS16	4.00	3.65	DFPB10

EYE BOLT ANCHORS



- Suitable for permanent anchorage in securing guy ropes, stays and cables.
- Pack of 1

	Drill Required	Price per Pack		Ref. No.
		1	20+	
6mm	12mm / DFSDS12	2.30	2.10	DFEB6
8mm	14mm / DFSDS14	2.95	2.60	DFEB8
10mm	16mm / DFSDS16	4.20	3.95	DFEB10

ANCHOR FIXING TOOL



- For quick and simple installation of screw anchors.
- Ideal for jobs involving repetitive fixing.

	Price		Ref. No.
	1	3+	
Anchor Fixing Tool	14.20	13.55	DFFT

SEALANTS & ADHESIVE



- Building and contractors sealants, adhesives, expanding foam, fix and fill.

	Price		Ref. No.
	1	3+	
Building Adhesive 310ml	5.90	5.70	AL1345
All Purpose Silicone Sealant 310ml	9.75	9.20	AL1346
Polyurethane Expanding Foam 750ml	11.25	10.85	AL1347

WEDGE STEEL ANCHORS



- Provides a strong, permanent and re-usable female thread in concrete or stone.
- Incorporates a threaded steel socket and a captive wedge.
- After insertion of the anchor into the hole, it can be expanded by driving the wedge into the socket with the wedge setting tool.
- Pack of 1.

	Drill Required	Price per Pack		Ref. No.
		1	25+	
Wedge Steel Anchors				
M6 x 25mm	8mm / DFSDS8	0.35	0.30	DFW6
M8 x 30mm	10mm / DFSDS10	0.50	0.40	DFW8
M10 x 40mm	12mm / DFSDS12	0.55	0.45	DFW10

CHEMICAL ANCHORS/STUD BOLTS



- Chemical resins provide a ready solution to many fixing problems.
- They provide a strong, stress free fixing in brick, concrete and masonry.
- Styrene-free resin.
- More versatile than a traditional expansion anchor.
- Pack of 1.

	Price per Pack		Ref. No.	
	1	3+		
Chemical Anchors				
Resin Cartridge with Mixer Nozzle	19.65	18.90	DFCA8	
Mixer Nozzle	2.30	2.20	DFCA4	
Stud Bolts				
	Drill Required			
M8 x 110mm	10mm / DFSDS10	1.00	0.95	DFSB8
M10 x 130mm	12mm / DFSDS12	1.20	1.15	DFSB10
M12 x 160mm	14mm / DFSDS14	1.40	1.20	DFSB12

CATENARY WIRE & ACCESSORIES

CATENARY WIRE



- 3mm diameter catenary wire, mild steel, galvanised.
- Maximum recommend load 190kgs.



	Price		Ref. No.
	1	3+	
30m Coil	18.10	17.35	DFCW30N
50m Coil	28.75	27.55	DFCW50N
100m Coil	49.70	47.70	DFCW100N

CATENARY WIRE THIMBLE



- A Rope eyelet creating a metal loop at the rope end to prevent wear and tear.



	Price		Ref. No.
	1	25+	
3mm Catenary Wire Thimble	0.95	0.90	DFCWTN

CATENARY WIRE WALL PLATE & RING



- Creates a firm anchor point, ideal for fastening and securing catenary wire.
- Size 50mmx50mm.



	Price		Ref. No.
	1	10+	
2" Wall Plate with Ring	6.50	6.35	DFCWPN

CATENARY WIRE ROPE GRIP



- Grips the return end of catenary wire when in a loop.



	Price		Ref. No.
	1	25+	
3mm Catenary Wire Rope Grip Galvanised	1.00	0.95	DFCWGN

CATENARY WIRE STRAINER



- With screw hook and eye.
- Electro-Galvanised finish.
- Size M6x203mm.

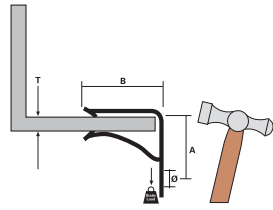


	Price		Ref. No.
	1	10+	
3mm Catenary Wire Strainer c/w Screw, Hook and Eye	6.35	6.05	DFCWSN

STEEL FASTENERS

- A range of galvanised clips for securing conduit, chain and steel rod to steel work.
- Suitable for use indoors or outdoors in humid and mildly corrosive environments.

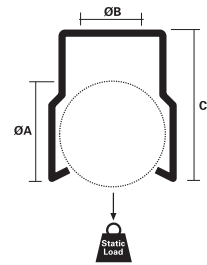
BEAM CLIP



- For suspension from horizontal flanges or chain, wire, etc.
- Pack Qty 25

T (mm)	Ø (mm)	A (mm)	B (mm)	Load (kg)	Price per Pack		Ref. No.
					1	4+	
1.5-3	6.5	16	12.5	72	18.20	16.20	DFAH153
3-8	6.5	18	20.3	90	18.20	16.20	DFAH38
8-14	6.5	26	20.3	90	18.20	16.20	DFAH814
14-20	6.5	30	26.6	90	18.90	18.20	DFAH1420

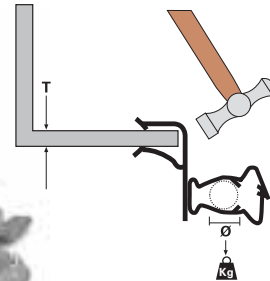
SNAP-IN CONDUIT/PIPE CLIP



- Snap-in mechanism for securing conduit quickly and easily.
- Pack Qty 25

ØA (mm)	ØB (mm)	C (mm)	PG type	Load (kg)	Price per Pack		Ref. No.
				1	4+		
18-25	6.5	6.5	11/13.5/16	11	20.20	18.20	DFJM1825

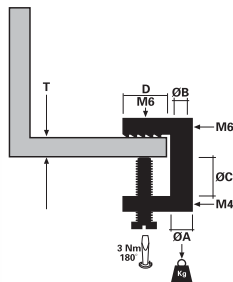
HORIZONTAL CONDUIT CLIP



- 20mm and 25mm Conduit.
- Rotating fixing.
- Pack Qty 25

T (mm)	Ø (mm)	PG type	Load (kg)	Price per Pack		Ref. No.
				1	4+	
1.5-3	19-26	13.5/16	12	45.80	44.00	DFAH153A
3-8	19-26	13.5/16	12	48.35	46.35	DFAH38A
8-14	19-26	13/16	12	50.40	47.60	DFAH814A
14-20	19-26	13.5/16	12	52.70	50.60	DFAH1420A

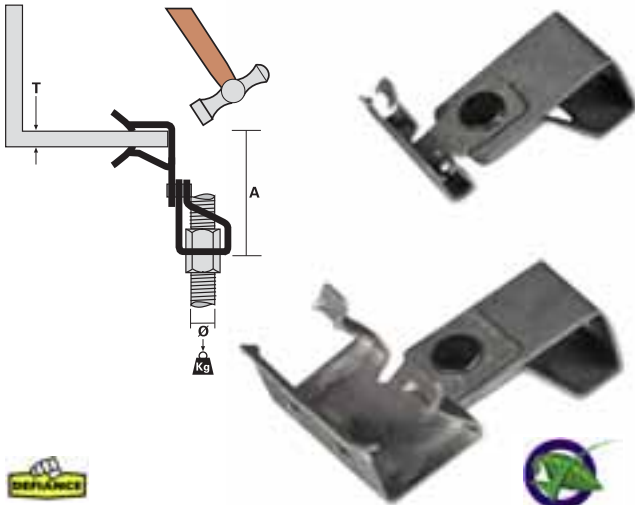
MASTER CLAMP



- Flange clamp for use with wire, chain or rod.
- Moveable fixing facility.
- Pack Qty 25

T (mm)	ØA (mm)	ØB (mm)	ØC (mm)	D (mm)	Load (kg)	Price per Pack		Ref. No.
						1	4+	
Max 18	12.7	6.5	6.5	19.5	45	30.35	28.30	DFFH65
Max 18	10.7	10.7	6.5	19.5	45	33.25	31.95	DFFH107

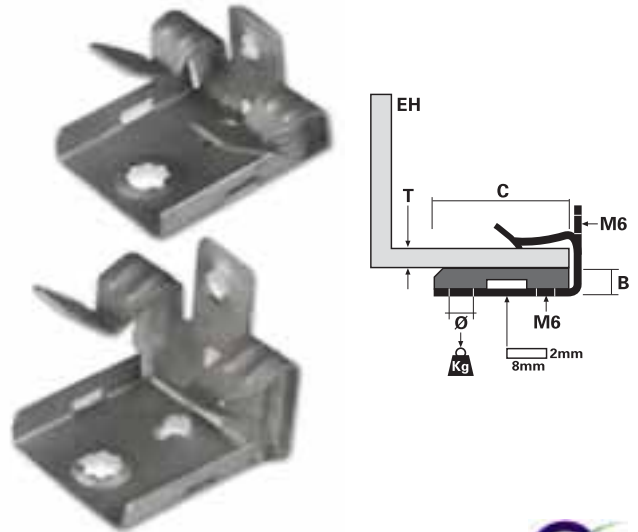
GIRDER CLIP FOR THREADED ROD



- Straight edge girder clip for use with threaded rod
- Pack Qty 25

T (mm)	Ø (mm)	A (mm)	Load (kg)	Price per Pack 1	Price per Pack 4+	Ref. No.
1.5 - 3	M6	44	68	46.05	44.20	DFAH153-AM6T
3 - 8	M6	46	68	46.05	44.20	DFAH153-AM8T
8 - 14	M6	54	68	46.05	44.20	DFAH153-AM10T
14 - 20	M6	66	68	47.15	45.30	DFAH38-AM6T
1.5 - 3	M8	44	68	47.15	45.30	DFAH38-AM8T
3 - 8	M8	46	68	47.15	45.30	DFAH38-AM10T
8 - 14	M8	54	68	47.55	45.65	DFAH814-AM6T
14 - 20	M8	66	68	47.55	45.65	DFAH814-AM8T
1.5 - 3	M10	44	68	47.55	45.65	DFAH814-AM10T
3 - 8	M10	46	68	48.10	46.20	DFAH1420-AM6T
8 - 14	M10	54	68	48.10	46.20	DFAH1420-AM8T
14 - 20	M10	66	68	48.10	46.20	DFAH1420-AM10T

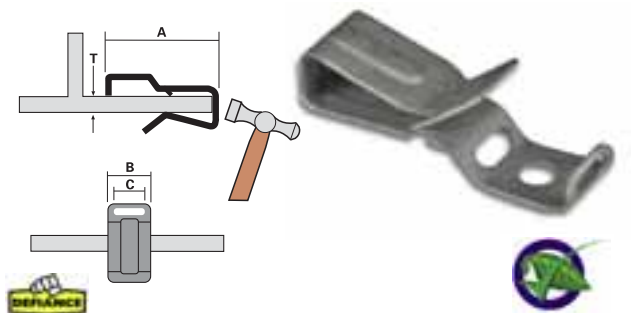
FLANGE & GIRDER CLIPS



- Hammer on girder clips for conduit boxes.
- Pack Qty 25

T (mm)	Ø (mm)	A (mm)	B (mm)	C (mm)	Load (kg)	Price per Pack 1	Price per Pack 4+	Ref. No.
3 - 8	7	-	7.5	33	45	24.80	23.80	DFEH38
3 - 8	7	-	7.5	33	45	27.10	26.05	DFEH814
3 - 8	7	-	7.5	33	45	31.45	30.20	DFEH1420
3 - 8	7	-	7.5	33	45	43.05	41.30	DFEH38S
8 - 14	-	M6x10	7.5	33	45	45.15	43.90	DFEH814S
14 - 20	-	M6x10	7.5	33	45	51.40	49.35	DFEH1420S

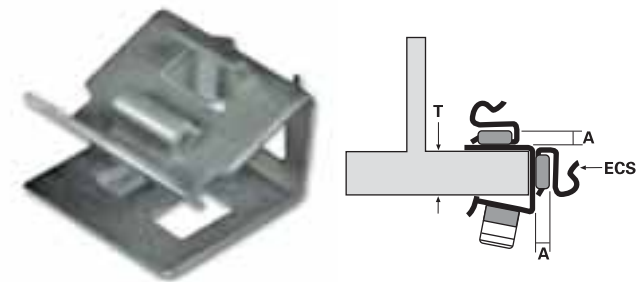
GIRDER CLIP/CABLE



- Hammer on girder clip before use with multiple cable runs.
- Pack Qty 25

T (mm)	A (mm)	B (mm)	C (mm)	Price per Pack 1	Price per Pack 4+	Ref. No.
3 - 10	52	16	10	17.70	17.00	DFGH310
10 - 18	52	16	10	18.40	17.70	DFGH1018

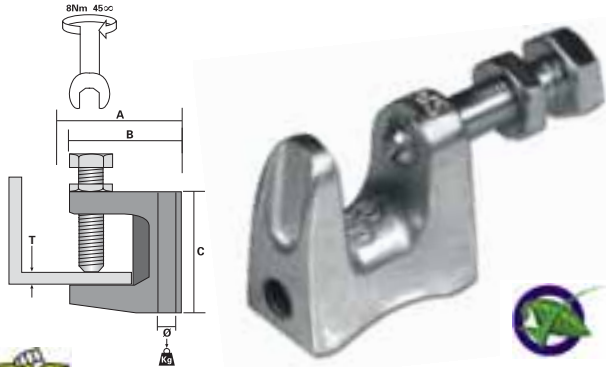
GIRDER CLIPS FOR SINGLE CABLES



- Single cable girder clip adaptor.
- Pack Qty 25

T (mm)	A (mm)	Price per Pack 1	Price per Pack 4+	Ref. No.
12 - 15	2 - 4	14.50	14.00	DFECA1215
15 - 20	2 - 4	14.50	14.00	DFECA1520

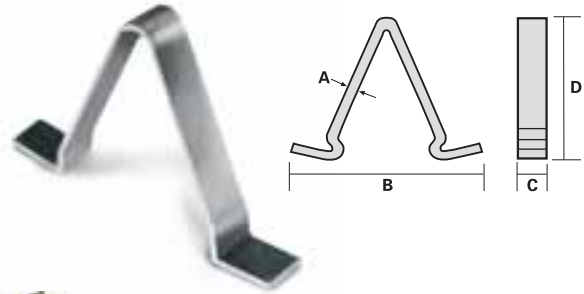
GIRDER CLAMP FOR THREADED ROD



- Girder clamp for threaded rod.
- Pack Qty 25

T (mm)	Ø (mm)	A (mm)	B (mm)	C (mm)	Load (kg)	Price per Pack		Ref. No.
						1	4+	
Max 19	11	50	42	45	235	109.25	104.90	DFFC11
Max 19	M10	50	42	45	235	129.95	124.80	DFFC10T

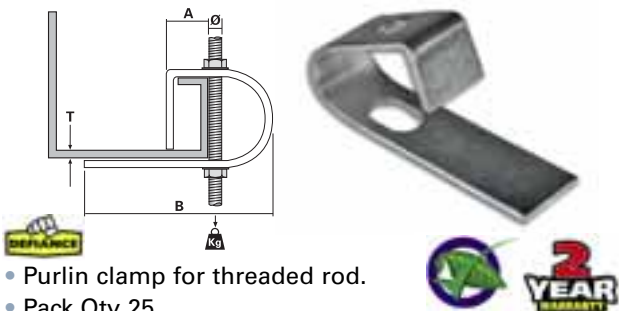
CHAIN CLIP



- Spring clip for hanging chain.
- Pack Qty 25

A (mm)	B (mm)	C (mm)	D (mm)	Price per Pack		Ref. No.
				1	4+	
1	50.8	8	35	22.25	21.40	DFV1

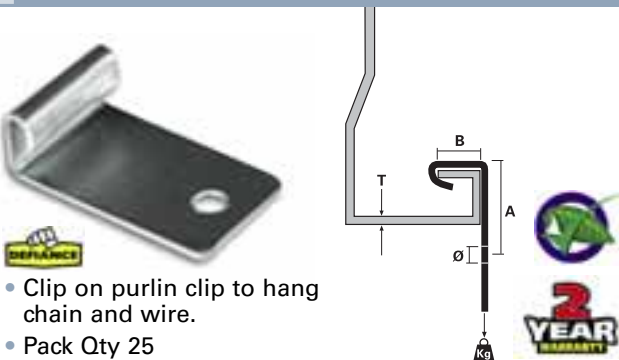
PURLIN CLAMP FOR THREADED ROD



- Purlin clamp for threaded rod.
- Pack Qty 25

T (mm)	Ø (mm)	A (mm)	B (mm)	Load (kg)	Price per Pack		Ref. No.
					1	4+	
≤4	12	15	85	40	30.45	29.30	DFPD

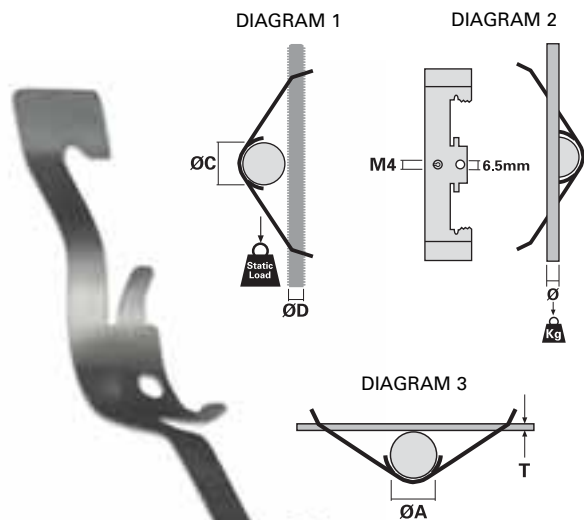
PURLIN CLIP



- Clip on purlin clip to hang chain and wire.
- Pack Qty 25

T (mm)	Ø (mm)	A (mm)	B (mm)	Load (kg)	Price per Pack		Ref. No.
					1	4+	
≤3.0	6.5	37	12.5	20	33.80	32.45	DFSM125

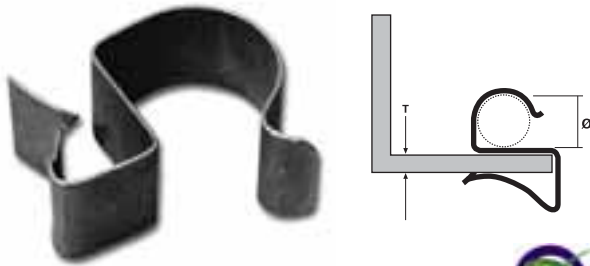
SUPPORT



- Supports conduit at right angles to flange.
- Pack Qty 25

Dia No.	T (mm)	ØA (mm)	ØC (mm)	ØD (mm)	PG Type (mm)	Load (kg)	Price per Pack		Ref. No.
							1	4+	
3	3-5	16-25	-	-	13.5/16	45	26.30	24.25	DFFM313T
3	6-9	16-20	-	-	13.5	45	26.30	24.25	
3	9-13	16	-	-	-	45	26.30	24.25	
1	-	-	20	M6,M8,M10	21	22	26.30	24.25	DFFM320T
2	-	6/8/10	-	-	-	10	36.90	35.40	

EDGE CLIP

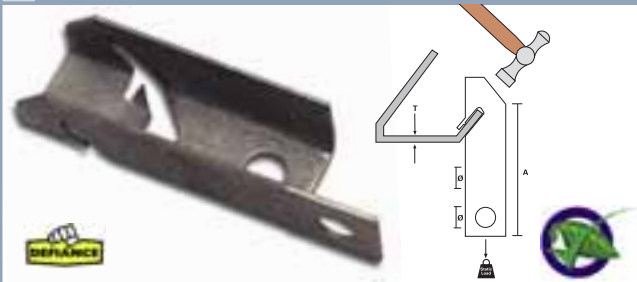


- For running cables along the edge of steelwork.
- Pack Qty 25



T (mm)	Ø (mm)	Price per Pack		Ref. No.
		1	4+	
2-4	8-9	10.60	10.15	DFECS89
2-4	10-11	10.60	10.15	DFECS1011
2-4	12-14	10.60	10.15	DFECS1214
2-4	15-19	10.60	10.15	DFECS1519
2-4	20-24	14.15	12.15	DFECS2024
2-4	25-32	14.70	14.10	DFECS2532
4-7	8-9	10.15	8.15	DFECM89
4-7	10-11	10.15	8.15	DFECM1011
4-7	12-14	10.60	10.15	DFECM1214
4-7	15-19	14.15	12.15	DFECM1519
4-7	20-24	14.15	12.15	DFECM2024
4-7	25-32	14.70	14.10	DFECM2532
8-12	8-9	10.15	8.15	DFECL89
8-12	10-11	10.15	8.15	DFECL1011
8-12	12-14	10.60	10.15	DFECL1214
8-12	15-19	10.60	10.15	DFECL1519
8-12	20-24	16.15	14.15	DFECL2024
8-12	25-32	16.60	15.95	DFECL2532

Z PURLIN CLIP



- For suspension of chain, wire, etc.
- Hangers compensate for purlin angle.
- Pack Qty 25



T (mm)	Ø (mm)	A (mm)	B (mm)	Load (kg)	Price per Pack		Ref. No.
					1	4+	
0-3	6-5	48	50°	45	20.20	18.20	DFVM03

VERTICAL FLANGE CLIP

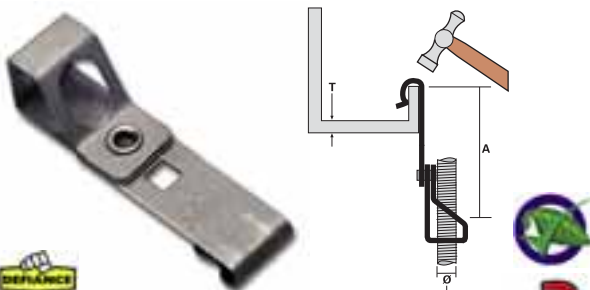


- For suspension of chain, wire, etc.
- Vertical flange.
- Pack Qty 25



T (mm)	Ø (mm)	A (mm)	B (mm)	C (mm)	D (mm)	Load (kg)	Price per Pack		Ref. No.
							1	4+	
1.5-5	6.5	42	14	6.5	12	72	16.15	14.15	DFAV155

ROD FIXING CLIP



- Vertical flange rod fixing.
- Pack Qty 25



T (mm)	Ø (mm)	A (mm)	Load (kg)	Price per Pack		Ref. No.
				1	4+	
1.5-5	M6	70	68	52.95	47.65	DFAV155A
1.5-5	M8	70	68	54.10	48.65	DFAV155B
1.5-5	M10	70	68	51.95	46.75	DFAV155C

T-BAR CLIP



- For flush fastening of fixings to T Bar systems.
- Scissor action.
- Complete with spin nut.
- Pack Qty 25



Ø (mm)	A (mm)	B (mm)	Load (kg)	Price per Pack		Ref. No.
				1	4+	
M6	16	25	22	40.40	38.40	DFJHX16S
M6	15	15	22	39.65	38.05	DFJHX15SW

CONNECTION STRIPS



- 12 way deviseable connector strip.
- Manufactured from thermoplastic, max temp 85°C.
- Complies with BSEN 60998-1.
- Unique 'snap off' design.



	Price per Pack		Ref. No.
	1	10+	
2.5A Connector Strip	1.30	1.25	AL1238
5A Connector Strip	1.10	1.05	AL3046
15A Connector Strip	1.70	1.65	AL3047
30A Connector Strip	2.40	2.35	AL3048

JACK CHAIN



- Single link chain, ideal for suspending luminaires and trunking.
- 10 metre lengths.

	Recomended Max Load (kg)	Price per Pack		Ref. No.
		1	5+	
No 8 Black Japanned	31	18.40	17.70	DF5100N
No 8 Pre-Galvanised	31	15.10	14.55	DF5101N
No 10 Black Japanned	15	13.70	13.05	DF5102N
No 10 Pre-Galvanised	15	11.05	10.60	DF5103N
3x21mm Oval Welded Black Japanned	6	25.05	24.15	DF5104N
3x21mm Oval Welded Pre-Galvanised	6	21.05	20.25	DF5105N

SERVICE CONNECTION BLOCKS



- Black phenolic housing complete with knockouts.
- Cover screw is wire sealable.



	Price per Pack		Ref. No.
	1	5+	
100A 5 Way Box Single Pole	8.35	7.90	AL3008
100A 2x5 Way Box Double Pole	13.95	13.30	AL3009

ALL ROUND BAND



- Galvanised Steel.
- Multipurpose banding used for general installation and maintenance.
- Supplied in 10 metre coils.



	Price per Pack		Ref. No.
	1	3+	
12mm Uncoated	8.10	7.80	AL5650
17mm Uncoated	12.15	11.65	AL5651
12mm Coated Black	18.10	17.40	AL5652
17mm Coated Black	26.05	25.05	AL5653

EARTH CLAMPS



- A general purpose earth clamp to the most popular 12 to 32mm pipe diameters.
- All clamps comply with BS951.
- All straps are manufactured in phosphor bronze.



	Max Earth Conductor (mm)	Price 1	Price 20+	Ref. No.
Earth Clamps for Dry Conditions				
EC14 Earth Clamp	1x10	1.30	1.25	AL0048
Earth Clamps for All Conditions				
EC15 Earth Clamp	1x10	1.45	1.35	AL0049
EC16 Earth Clamp - Heavy Duty	2x16	2.50	2.45	AL0050

EARTH BLOCKS



- Tinned brass earthing terminals.
- Supplied with slot head brass screws.



	Price		Ref. No.
	1	5+	
4 Way Brass DP	3.40	3.25	AL0052
8 Way Brass DP	6.60	6.40	AL0053

EASY EARTH CLAMP SET



- Suitable for a wide range of applications, i.e. radiators, etc.
- Pack contains 10 clamps, 10 safety labels, 1 Allen key and 20 cable ties.



	Price 1	Price 5+	Ref. No.
Easy Earth Clamp Set	17.40	16.75	AL0051

EARTH BARS

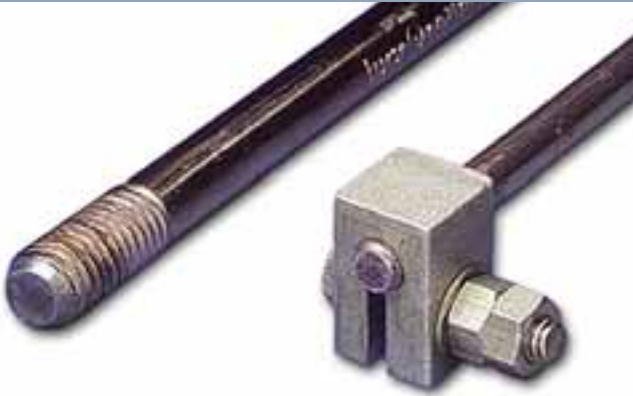


- High quality 50x6mm HD copper brass.
- Lightweight PVC insulation base.
- 6 way.



	Price		Ref. No.
	1	3+	
Earth Bar	163.15	156.85	AL5634
Earth Bar and Link	182.95	175.85	AL5635
Earth Bar and Twin Link	198.30	190.65	AL5636
Disconnecting Link only	52.80	50.75	AL5637

EARTH RODS



- 1200mm long.
- Manufactured by bonding pure electrolytic copper onto a low resistance carbon steel core.
- Highly resistant to corrosion.



	Price		Ref. No.
	1	10+	
5/8" 4' Earth Rod	12.45	11.90	AL1225
3/8" 4' Earth Rod c/w Clamp	13.30	12.65	AL1224
5/8" Earth Rod Driving Stud	2.00	1.85	AL1227
5/8" Earth Rod Coupling	6.45	6.20	AL1226

EARTH ROD CLAMPS



- High strength copper alloy body and screws.



	Conductor range	Price		Ref. No.
		1	10+	
Type G Rod to Cable Clamp	16-70mm ²	4.65	4.55	AL5605
Type A Rod to Tape Clamp	26-12mm	8.60	8.30	AL5606

NON-METALIC DC CLIP



- Provides easy installation whilst ensuring tape is firmly gripped.
- High grade polypropylene - UV stabilised.



Colour	Price		Ref. No.
	1	25+	
Brown for use with bare tape	0.95	0.90	AL5607
Green for use with PVC covered tape	0.95	0.90	AL5608

METALIC DC CLIP



- Manufactured from high quality copper alloys.
- For use with bare copper tape.



DC Clip	Price		Ref. No.
	1	25+	
	3.70	3.55	AL5609

SQUARE TAPE CLAMP



- Gun metal square clamp.
- For forming straight through cross or tee joints in tape or bar.



Earthing Clamp	Price		Ref. No.
	1	10+	
	9.90	9.45	AL5618

COPPER EARTH TAPE - BARE



- High conductivity copper tape to BSEN 13601.
- 25 metre coil.



	Size (mm)	Price per metre		Ref. No.
		1	25+	
Bare Copper Tape	25x3	14.95	14.30	AL3701

PVC INSULATED EARTH TAPE



- Covered to BS 6746C in green/yellow PVC.



	Size (mm)	Price per metre		Ref. No.
		1	10+	
Copper Tape, PVC Covered	25x3	26.75	25.75	AL5633

LIGHTWEIGHT INSPECTION PIT



- Weighs 1.8kg.
- High load-bearing capacity of 5000kg, c/w lockable lid.
- Chemical and extreme temperature resistance.
- Manufactured from high performance polymer.



	Price	Ref. No.
Earth Pit c/w Cover	51.65 49.75	AL1229

GROMMETS



- Manufactured from PVC.
- Resistant to chemicals.



	Pack Quantity	Price per Pack		Ref. No.
		1	4+	
20mm Open Grommet	25	1.85	1.70	AL5696
20mm Blind Grommet	25	2.85	2.65	AL5697
25mm Open Grommet	25	3.55	3.30	AL5698
25mm Blind Grommet	25	4.75	4.55	AL5699
32mm Open Grommet	10	3.85	3.70	AL5704
32mm Blind Grommet	10	4.50	4.25	AL5705

WALL PLUGS



- Industrial quality.
- Suitable for all general purpose fixing applications.

Colour	Suitable for screw sizes	Pack Qty	Price per Pack		Ref. No.
			1	5+	
Red Plug	6-8	100	3.50	3.25	DFPLRED
Brown Plug	6-8	100	5.20	4.70	DFPLBRO

PVC TAPE



- Flame retardant PVC suitable for use in low temperatures.
- Manufactured to BSEN60454-3-1:1998.



	Price		Ref. No.
	1	10+	
19mm x 20 metres			
Brown	2.00	1.85	AL0067
Black	2.00	1.85	AL0069
Blue	2.00	1.85	AL0070
Green/Yellow	2.00	1.85	AL0071
Red	2.00	1.85	AL0073
White	2.00	1.85	AL0074
Yellow	2.00	1.85	AL0075
Grey	2.00	1.85	AL3914
19mm x 33 metres			
Brown	2.95	2.60	AL0068
Black	2.95	2.60	AL0076
Blue	2.95	2.60	AL0077
Green/Yellow	2.95	2.60	AL0078
Red	2.95	2.60	AL0080
White	2.95	2.60	AL0081
Yellow	2.95	2.60	AL0082
Grey	2.95	2.60	AL3915
25mm x 33 metres			
Black	5.20	4.65	AL0059
Blue	5.20	4.65	AL0060
Green/Yellow	5.20	4.65	AL0063
Red	5.20	4.65	AL0064
White	5.20	4.65	AL0065
Yellow	5.20	4.65	AL0066

TAPE



- Gaffer tape is polyethylene coated and waterproof, suitable for sealing, bundling and packaging.
- Self amalgamating suitable for cable jointing, pipe wrapping and repair work and is ideal for waterproofing and protecting against corrosion.



	Colour	Price		Ref. No.
		1	3+	
Gaffer 50mm x 50 metres	Silver	7.00	6.40	AL0084
Self Amalgamating 19mm x 10 metres	Black	8.10	7.20	AL0085

**YOUR ACCOUNT IS
AUTOMATICALLY VALID
AT EVERY WF BRANCH**

Your account together with all your commercial terms is automatically valid at every one of our branches nationwide.





There's a WF Branch near you

BASILDON
Tel: 01268 532558
Fax: 01268 532559

BASINGSTOKE
Tel: 01256 810211
Fax: 01256 810231

BLACKPOOL
Tel: 01253 595000
Fax: 01253 592222

BRACKNELL
Tel: 01344 428282
Fax: 01344 861932

BRIGHTON
Tel: 01273 621511
Fax: 01273 621481

BURTON-ON-TRENT
Tel: 01283 541621
Fax: 01283 510382

CAMBERLEY
Tel: 01276 21101
Fax: 01276 21048

CAMBRIDGE
Tel: 01223 413400
Fax: 01223 246638

CHELMSFORD
Tel: 01245 494125
Fax: 01245 494210

CHICHESTER
Tel: 01243 532525
Fax: 01243 531444

COLCHESTER
Tel: 01206 577755
Fax: 01206 577799

COVENTRY
Tel: 024 7643 1000
Fax: 024 7644 2009

DARTFORD
Tel: 01322 277611
Fax: 01322 288519

DERBY
Tel: 01332 366001
Fax: 01332 366002

DUNSTABLE
Tel: 01582 475111
Fax: 01582 475119

EASTLEIGH
Tel: 023 8026 7411
Fax: 023 8026 7459

GILLINGHAM
Tel: 01634 373881
Fax: 01634 379049

HARLOW
Tel: 01279 417171
Fax: 01279 450902

HEATHROW
Tel: 01895 422211
Fax: 01895 421611

HEMEL HEMPSTEAD
Tel: 01442 212811
Fax: 01442 265460

HIGH WYCOMBE
Tel: 01494 443844
Fax: 01494 461534

HORSHAM
Tel: 01403 267444
Fax: 01403 242255

IPSWICH
Tel: 01473 748431
Fax: 01473 240936

LANCASTER
Tel: 01524 32323
Fax: 01524 37846

LEEDS
Tel: 0113 242 9311
Fax: 0113 242 9312

LEICESTER
Tel: 0116 254 0174
Fax: 0116 247 1362

LINCOLN
Tel: 01522 576125
Fax: 01522 576126

LIVERPOOL
Tel: 0151 707 1439
Fax: 0151 709 7191

MAIDENHEAD
Tel: 01628 777272
Fax: 01628 777528

MANCHESTER
Tel: 0161 230 2050
Fax: 0161 231 0631

MILTON KEYNES
Tel: 01908 648822
Fax: 01908 374204

NORWICH
Tel: 01603 788000
Fax: 01603 787506

NOTTINGHAM
Tel: 0115 986 9111
Fax: 0115 986 0424

OXFORD
Tel: 01865 718000
Fax: 01865 395261

PETERBOROUGH
Tel: 01733 349870
Fax: 01733 890922

PORTSMOUTH
Tel: 023 9266 6656
Fax: 023 9266 0146

PULBOROUGH
Tel: 01798 875312
Fax: 01798 875570

READING
Tel: 0118 958 7221
Fax: 0118 950 7323

SHEFFIELD
Tel: 01142 444727
Fax: 01142 444838

SOUTHAMPTON
Tel: 023 8063 8111
Fax: 023 8022 0329

SOUTHEND
Tel: 01702 461611
Fax: 01702 461030

STEVENAGE
Tel: 01438 728411
Fax: 01438 742466

STOCKPORT
Tel: 0161 480 6111
Fax: 0161 480 2161

STOKE-ON-TRENT
Tel: 01782 838463
Fax: 01782 811420

SWINDON
Tel: 01793 836900
Fax: 01793 834391

TRAFFORD PARK
Tel: 0161 872 5588
Fax: 0161 872 9997

TUNBRIDGE WELLS
Tel: 01892 544666
Fax: 01892 515577

WATFORD
Tel: 01923 239532
Fax: 01923 238601

WELLINGBOROUGH
Tel: 01933 679009
Fax: 01933 400264

WEST BROMWICH
Tel: 0121 554 6431
Fax: 0121 554 3868

WINCHESTER
Tel: 01962 844088
Fax: 01962 841398

WITNEY
Tel: 01993 702010
Fax: 01993 775391

WOKING
Tel: 01483 727571
Fax: 01483 725066

LONDON
BALHAM
Tel: 020 8673 2225
Fax: 020 8675 2296

BERNERS STREET
Tel: 020 7637 5393
Fax: 020 7636 4490

CHARLTON
Tel: 020 8301 8710
Fax: 020 8854 3643

CHISWICK
Tel: 020 8996 0304
Fax: 020 8742 3860

CITY
Tel: 020 7613 3321
Fax: 020 7613 5055

CROYDON
Tel: 020 8684 0191
Fax: 020 8684 5570

DAGENHAM
Tel: 020 8596 7200
Fax: 020 8984 9400

DOCKLANDS
Tel: 020 7538 2615
Fax: 020 7538 4049

ENFIELD
Tel: 020 8344 4170
Fax: 020 8804 9814

FULHAM
Tel: 020 7731 1315
Fax: 020 7384 2161

HENDON
Tel: 020 8203 0055/6382
Fax: 020 8203 6570

ILFORD
Tel: 020 8503 8866
Fax: 020 8503 8877

KINGS CROSS
Tel: 020 7267 5052
Fax: 020 7485 2446

KINGSTON
Tel: 020 8546 7787
Fax: 020 8547 2048

LEWISHAM
Tel: 020 8463 0900
Fax: 020 8463 0899

LEYTON
Tel: 020 8539 3094
Fax: 020 8558 2229

MITCHAM
Tel: 020 8640 6631
Fax: 020 8640 9801

PARK ROYAL
Tel: 020 8965 8799
Fax: 020 8965 0536



Certificate No. 3738



Certificate No. E00112

WF Electrical
313-333 Rainham Road South
Dagenham Essex RM10 8SX

Tel: 020 8517 7000
Fax: 020 8595 0519
Web Site: www.wf-online.com

If in doubt call
WF National Sales on
08457 35 34 33

All prices quoted are subject to V.A.T. E&OE



A Rexel Group Company